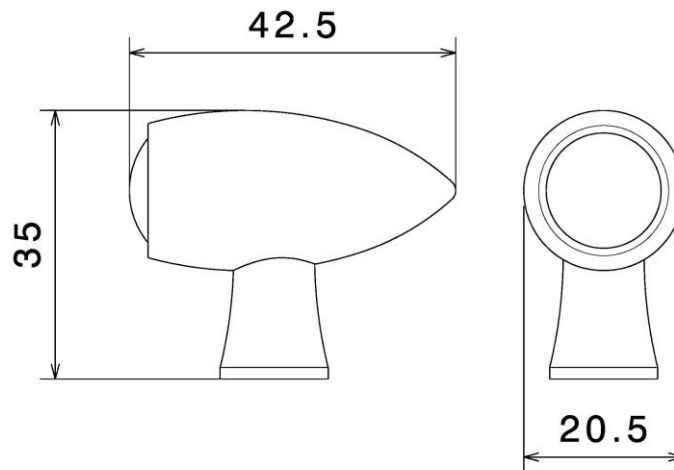


E4 E4-50R-002426

| | |
|-------------------------------------------|------------------------------------------------------------------|
| Issued by: | Kraftfahrt-Bundesamt Förderstraße 16, 24944 Flensburg Germany |
| Place & Date of type-approval: | DE-24932 Flensburg, 02.12.2014 |
| Report No.: | 2174841-PHO 14-316-11 |
| Issued by: | TÜV SÜD AUTOMOTIVE GMBH DE-80686 München |
| Date of issue: | 06.11.2014 |
| Approval identification: | E4-50R-002426 |

Product Codes: FR151B, FR151CH

Technical Drawing:



| | |
|------------------------------|------------------------------------------------------------------------------------------------------|
| Marking: | Engraved by laser. |
| Field of application: | 2 or 3 wheel motorcycles and vehicles treated as such. (PTWs, ATVs, Scooters, Motorcycles, Moped) |

